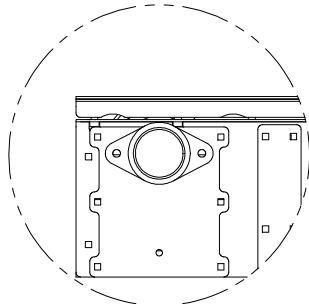
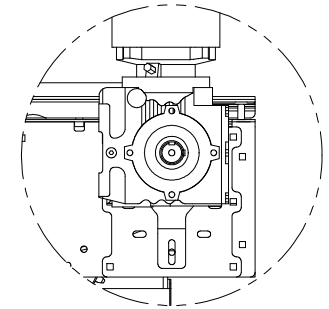
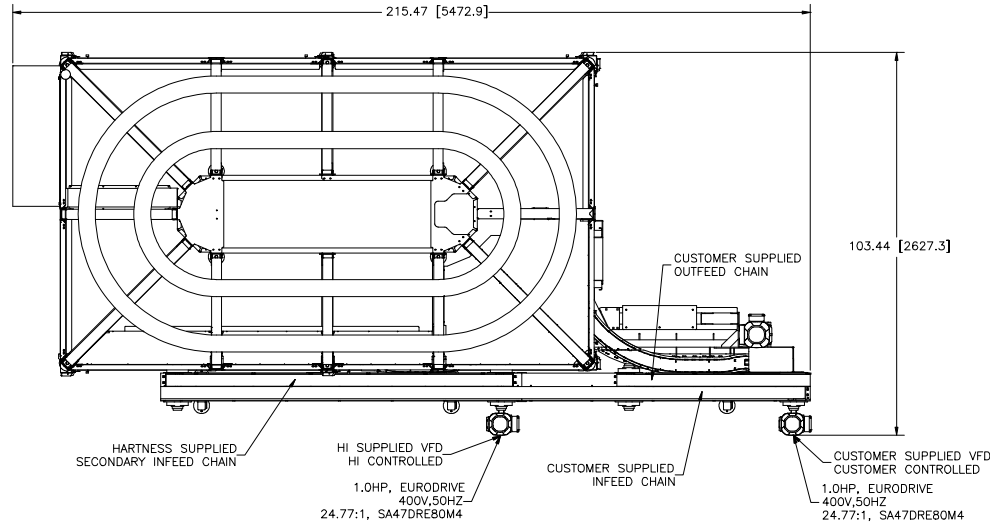


MACHINE PITCH (in [mm])	15 [381]
BASE MACHINE #LAYERS	4
PRODUCT CLEARANCE HEIGHT (in [mm])	11.06 [280.9]
ACCUMULATION (ft [m])	181 [55]
EXTENSION #LAYERS	2
ACCUM WITH EXTENSION (ft [m])	278 [85]

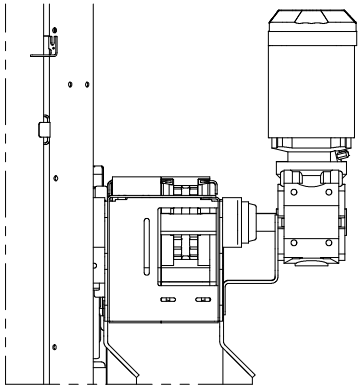
ITEM	PART NO. LH	PART NO. RH	SHT	QTY	PART DESCRIPTION AND/OR MATERIAL
------	-------------	-------------	-----	-----	----------------------------------



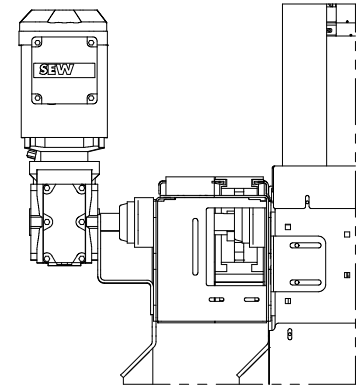
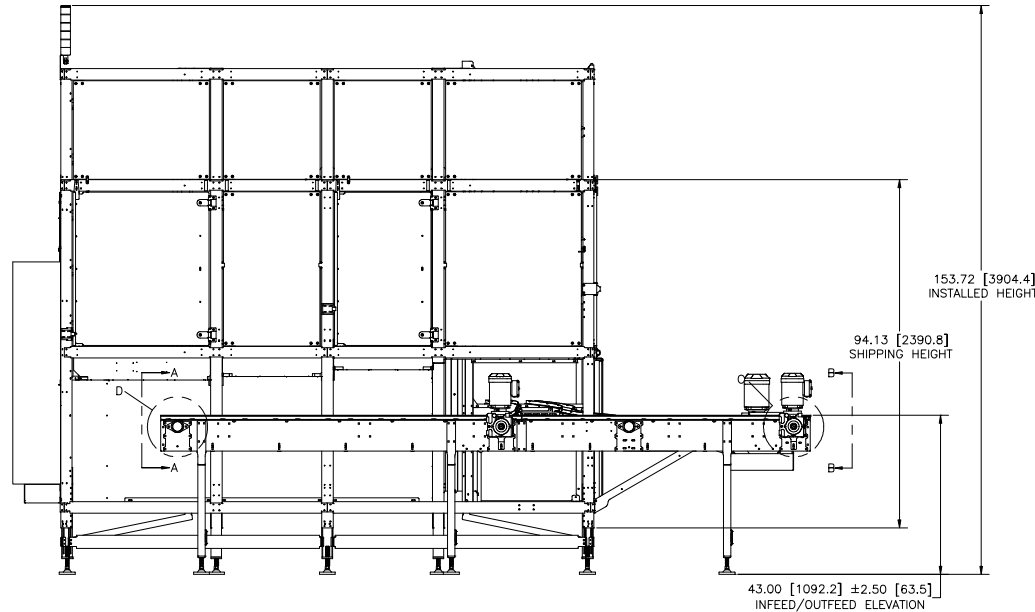
VIEW D-D
SCALE: 5:1



VIEW C-C
SCALE: 5:1



VIEW A-A
SCALE: 4:1



VIEW B-B
SCALE: 4:1

REVISION: CA	LOCATION: CA	SHEET NO: 1 OF 1
--------------	--------------	------------------

REV	REVISION DESCRIPTION	ECO NO.	DATE	BY	CHK

UNSPECIFIED TOLERANCES		FABRICATION	
MACHINING		SHEET METAL	±1/32 [0.8]
.0	.055 [1.40]	BENDS	
.00	.010 [0.25]	WELDED FEATURES	1/16 [1.6]
.000	.005 [0.13]	ANGULAR	1/2
FRACTIONAL 1/32		ANGULAR	1/2
ANGULAR	1/2		

THIS DOCUMENT IS THE PROPERTY OF, AND CONTAINS PROPRIETARY INFORMATION OWNED BY HARTNESS INTERNATIONAL, INC. AND/OR ITS SUBCONTRACTORS AND SUPPLIERS. IT IS TRANSMITTED TO YOU IN CONFIDENCE AND TRUST, AND IS TO BE RETURNED UPON REQUEST. NO PERMISSION IS GRANTED TO PUBLISH, USE, REPRODUCE, TRANSMIT OR DISCLOSE TO ANOTHER ANY INFORMATION CONTAINED IN THIS DOCUMENT, IN WHOLE OR IN PART, WITHOUT THE PRIOR WRITTEN PERMISSION OF AN AUTHORIZED EMPLOYEE OF HARTNESS INTERNATIONAL.



NETWORK NODE:	CAD FILENAME:
SCALE: NONE	DRAWING STATUS: CURRENT
DATE: 7/3/2013	REPLACED BY:
W/O #:	TITLE
ECO NO#:	DAIRY CREST LTD., SURREY, UK
DWN. BY: BCOOPER	SURFACE ROUGHNESS
CHK. BY:	SURFACE TREATMENT

REVISION: CA	LOCATION: CA	SHEET NO: 1 OF 1
--------------	--------------	------------------

MATERIAL	ORIENTATION	DRAWING NO.
MATERIAL	ORIENTATION	DRAWING NO.
MATERIAL	ORIENTATION	DRAWING NO.
MATERIAL	ORIENTATION	DRAWING NO. W643154SE