

Technical Specification

Model : Rokk HCP3

Page : 1 (4)

Item: Centrifugal Pump

Weight : 28 kg

Customs statistical number: 84137081

Configuration code: P(2):PCL05EFCBD5CL2NLB132SYNNALKNNNN

Name : PUMP Rokk HCP3 / 1.1 kW – 50 Hz

Description : 230D / 400 – 415 DIN -11850 FSS C/SIC EPDM BLASTED SCREW
LEGG / SHROUD

Pump construction:

Max inlet pressure : 6 BAR

Product wetted steel parts : W.1.4404 (316L)

Impeller material : W.1.4404 (316L)

Casing

Connection type:	Union DIN 11851 for DIN 11850 tubes	Inlet size:	DN-50
Outlet size :	DN-40	Internal Finish Spec:	Standard-Blasted
Heat jacket :	No	Drain diameter:	No drain

Shaft seal

Seal type :	Flushed shaft seal	Rotary face material :	Carbon
Stationary face material :	Silicon Carbide	Elastomers:	EPDM

Technical Specification

Impeller

Impeller Size :	110 mm	Impeller screw:	Yes
Inducer :	No	Wide clearance:	No

Certificate

Performance Test:	Visual inspection and Performance test of pump	Surface finish :	No
-------------------	---	------------------	----

Options

Shroud:	Yes	Legs:	Yes
---------	-----	-------	-----

ATEX

Atex approved:	No		
----------------	----	--	--

Motor specification

Motor vendor:	ABB	Power range :	1.1 – 2.2 Kw
Speed:	Full speed	Frequency:	50 Hz
Voltage:	230D / 400 – 415Y	Motor Features:	Standard
Special Compliance:	No Requirements	Efficiency Level:	No Requirements

Technical Specification

Performance curves based on Water 5 C°

Specific gravity: 1.0

Date: 2021 – 10 – 08

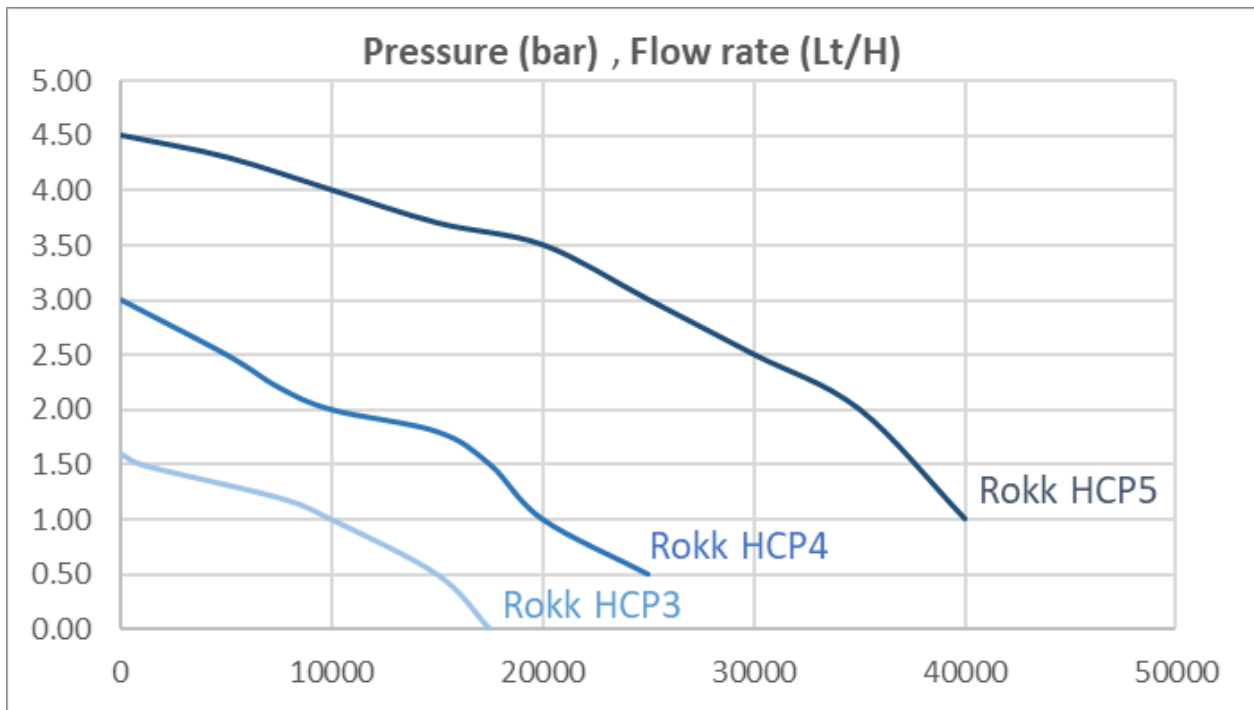
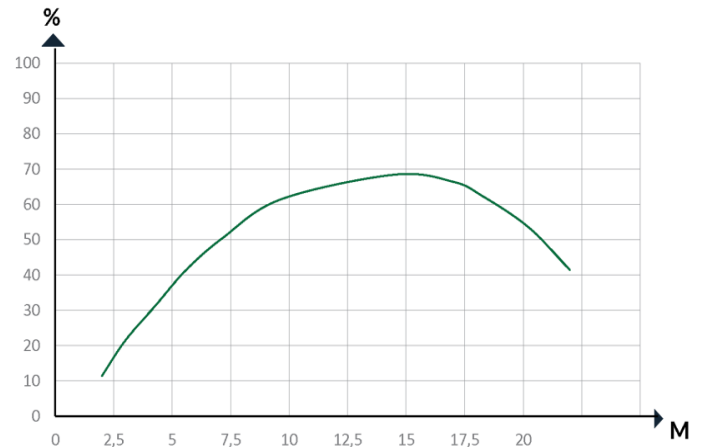
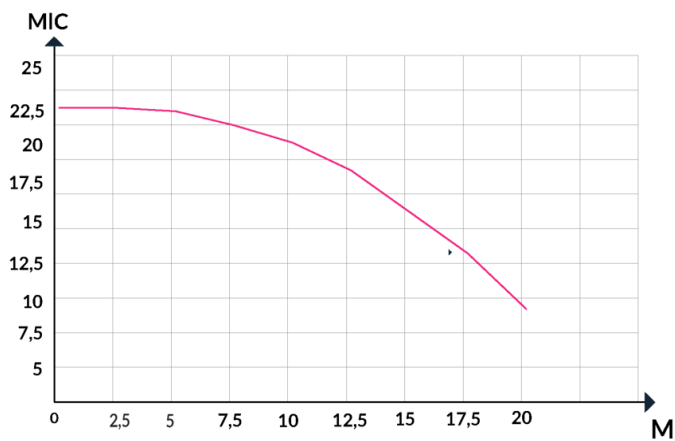
Viscosity: 1 Cp

Page : 2 (4)

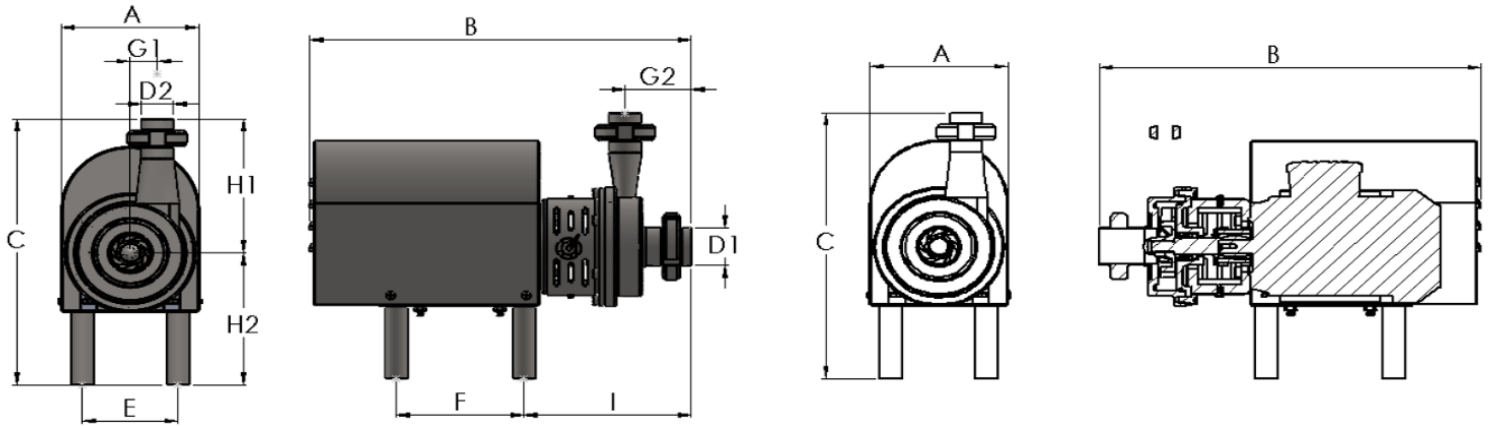
Data points:

Speed: 3000 rpm

Max. Power range: 1.1 - 2.2 kW



Technical Specification



Model	Capacity (at 2 BAR)	Power range (kW)	A (mm)	B (mm)	C (mm)	E (mm)	F (mm)	I (mm)	G1 (mm)	G2 (mm)	H ₁ (mm)	H ₂ (mm)	Inner Size (DN1) mm	Outer Size (DN2) mm	Weight (Kg)
Rokk HCP3	10.000 LT/H	1.1 – 2.2	250	520	300	190	170	210	30	50	160	170	50	40	28
Rokk HCP4	22.500 LT/H	3.0 – 4.0	300	600	350	215	230	255	50	60	200	175	66	50	44
Rokk HCP5	40.000 LT/H	5.5 – 7.5	300	600	350	265	260	300	70	70	210	215	66	50	50

