

P&ID SYMBOLS EXPLANATION

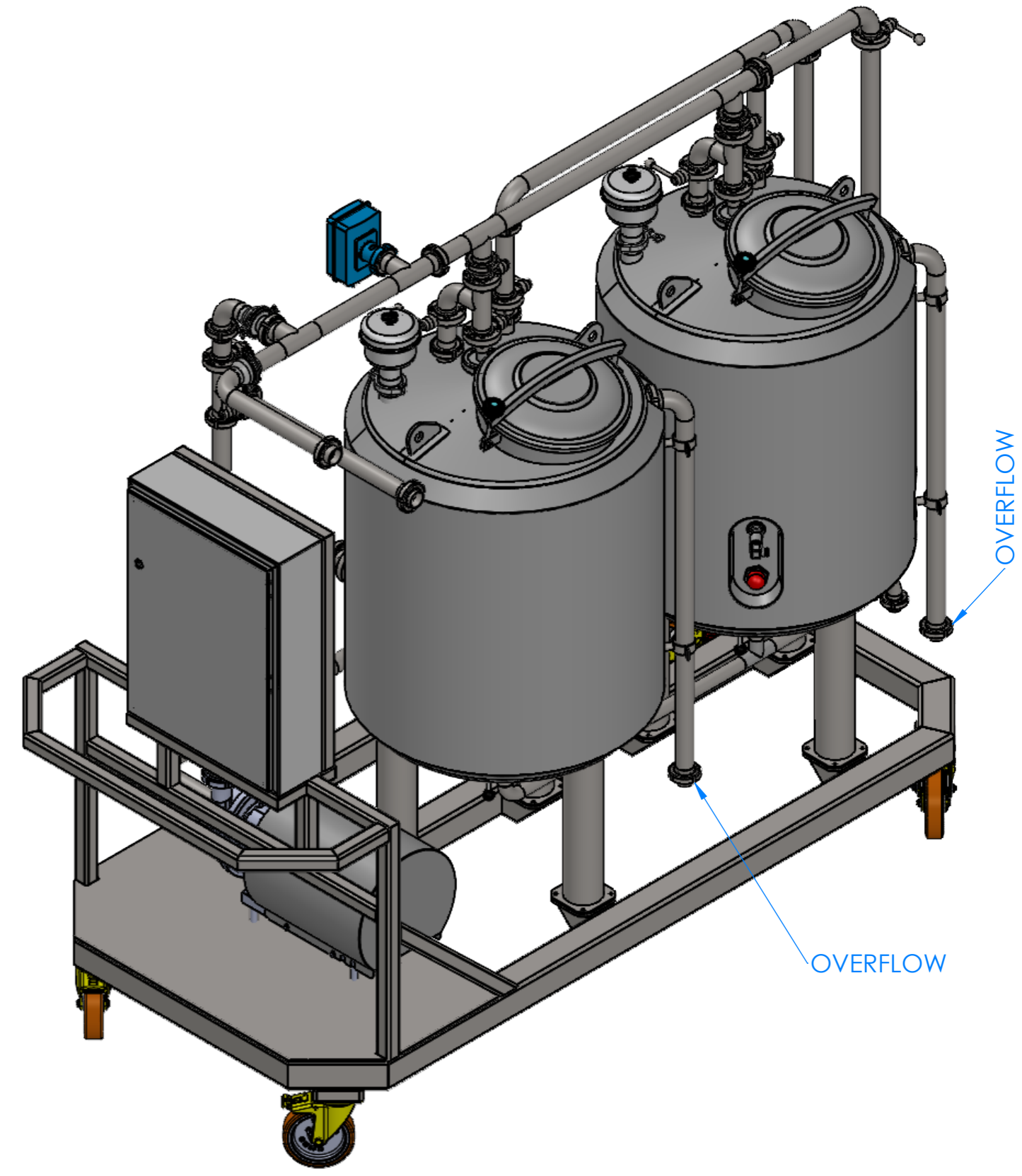
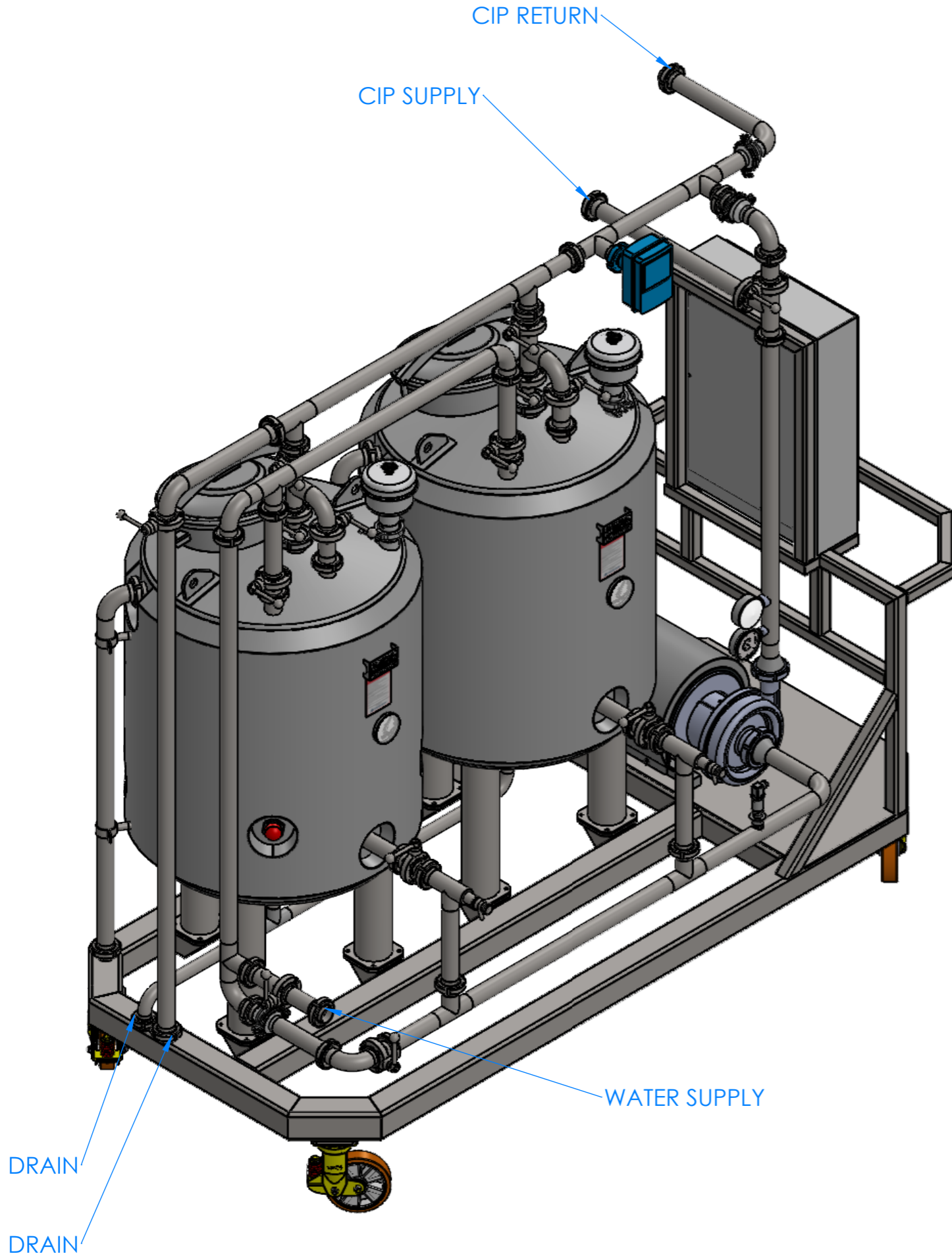
- CIP SUPPLY LINE
- CIP CIRCULATION LINE
- PROCESS WATER SUPPLY
- CHECK VALVE (NON-RETURN)
- MANUAL BUTTERFLY VALVE
- CENTRIFUGAL PUMP
- TEMPERATURE INDICATOR
- TEMPERATURE TRANSMITTER
- PRESSURE INDICATOR
- LEVEL SENSOR LOW
- CONDUCTIVITY TRANSMITTER
- SPEED CONTROL
- SAMPLING VALVE
- ELECTRICAL RESISTANCE

## 2x500 LT MANUEL MOBILE CIP SYSTEM P&ID

PROJECT NAME	2x500 LT MANUEL MOBILE CIP SYSTEM P&ID	CUSTOMER	MACHINERY WORLD
MATERIAL	AISI 316L Cr/Ni 2B FINISH	QTY.	1
DRAWN BY.	Mak. Mth. Mehmet BOYACIOGLU	PROJECT NO	PD-0120-24
CONTROLLED BY.	Kutay DILEKLEN		
APPROVED BY.			
DATE			

DİKKAT  
1- RESİM ÜZERİNDEN ÖLÇÜ ALETİ İLE ÖLÇÜ ALMAYIN.  
2- FORMU VEYA ÖLÇÜSÜ DEĞİŞEN RESİMLERİ TEKNİK BÜROYA BİLDİRİN.  
3- RESİM ÜZERİNDE KONTROL EDENDEN BAŞKASI DEĞİŞİKLİK YAPILMAZ İLE TEMİZLENECEKTİR.

NOT: BU TASARIMIN TÜM HAKLARI ENDÜLÜS KROM ŞİRKETİNE AİTTİR. ENDÜLÜS KROM'UN İZİNİ OLMADAN TASARIMIN TAMAMI VEYA BİR KISMININ KULLANILMASI HALİNDE GEREKLİ YASAL İŞLEM YAPILIR.



This drawing is draft design,  
it is possible to change during production

	NAME-SURNAME	DATE	SIGNATURE	PROJECT NAME	2x500LT MANUEL MOBİL CIP
DRAWN BY	MEHMET BOYACIOĞLU	27.01.2025		PROJECT NO	PD-0120-24
CONTROL	FERHAT ÇEĞİL	27.01.2025		CUSTOMER	MACHINERY WORLD
APPROVAL		27.01.2025		PIECE	1
WEIGHT		SCALE	1:15	REV NO	0
				PAGE NO	1/4
				FORMAT	A3



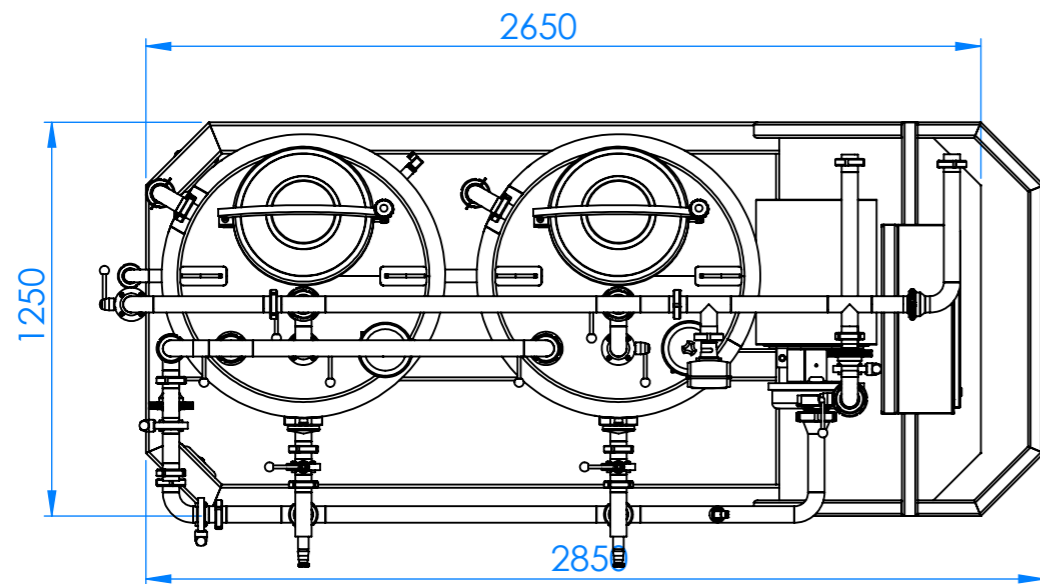
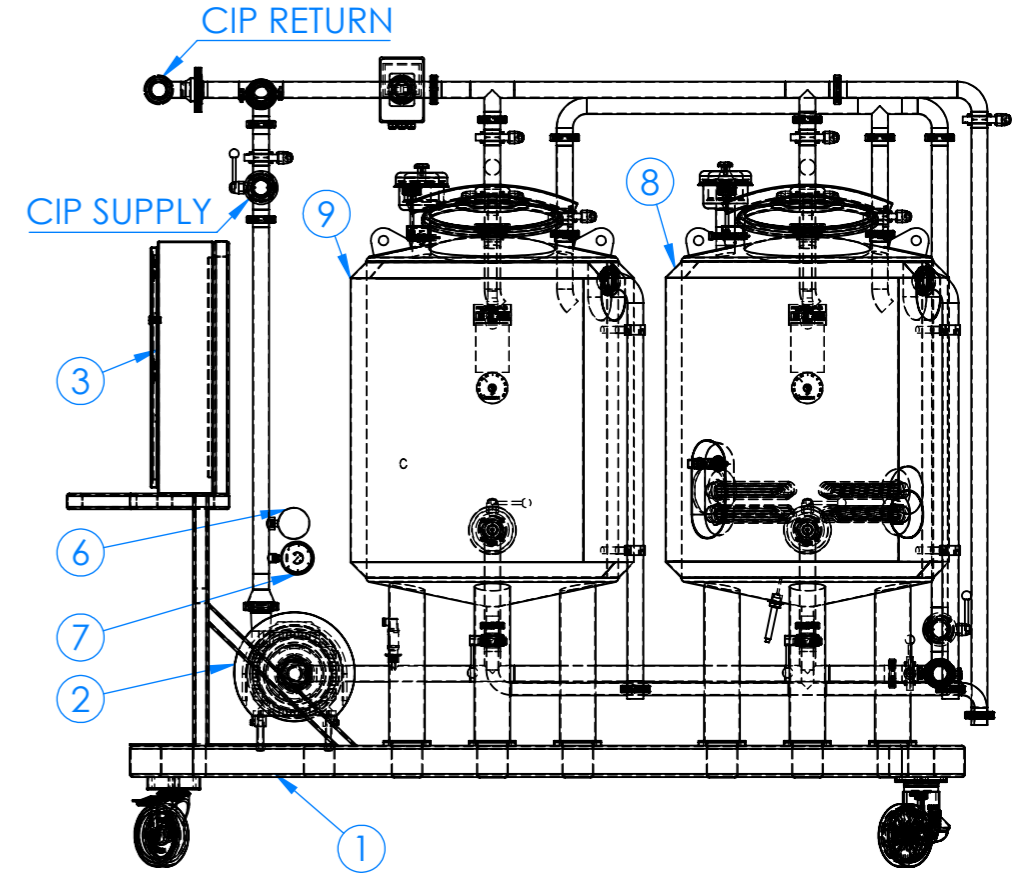
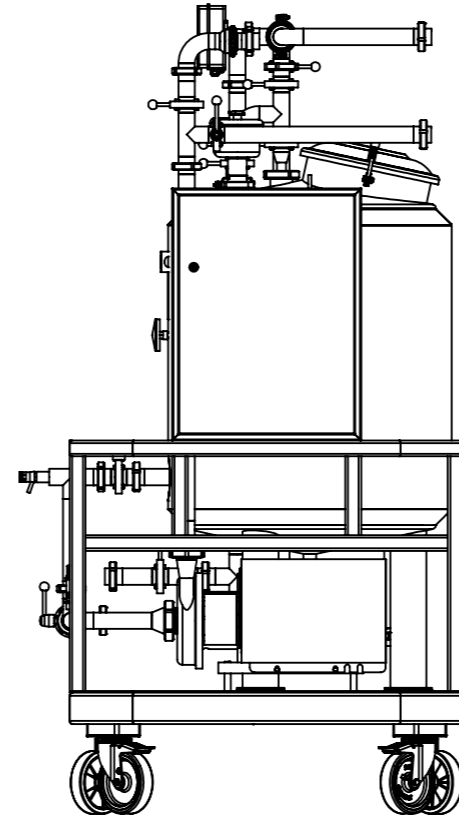
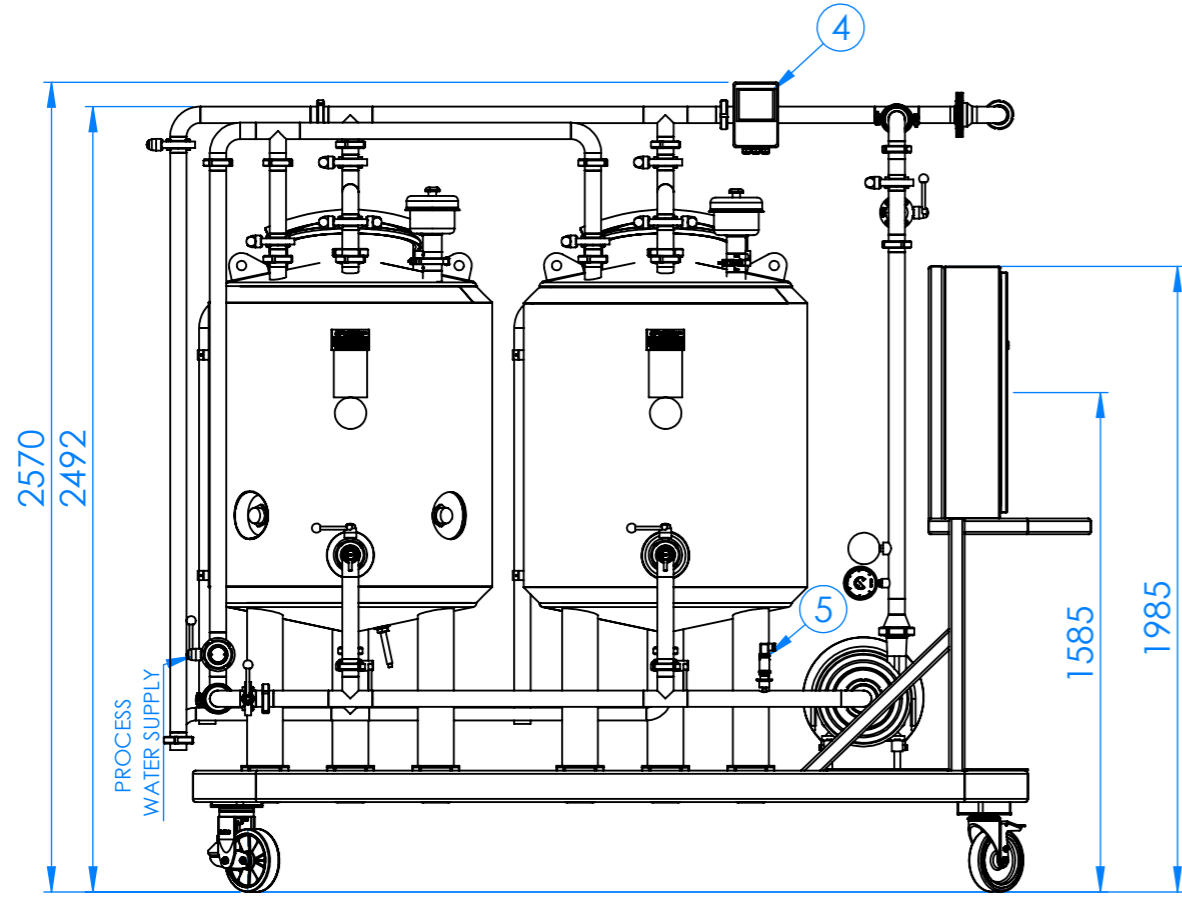
DOSYA YOLU : C:\Users\User\Desktop\02-2x500 LT MOBILE CIP SYSTEM\2x500 LT MOBİL CIP SYSTEM  
DOSYAYI SON KAYDEDEN: TANSEL ŞİT  
SON KAYIT TARİHİ: 27 Ocak 2025 Pazartesi 17:18:41

Dosya adı: PD-0120-24 - PORTABLE CIP SYSTEM

**DİKKAT**  
 1- RESİM ÜZERİNDEN ÖLÇÜ ALETİ İLE ÖLÇÜ ALMAYIN.  
 2- FORMU VEYA ÖLÇÜSÜ DEĞİŞEN RESİMLERİ TEKNİK BÜROYA BİLDİRİN.  
 3- RESİM ÜZERİNDE KONTROL EDENDEN BAŞKASI DEĞİŞİKLİK YAPILMAZ İLE TEMİZLENECEKTİR.

**NOT:** BU TASARIMIN TÜM HAKLARI ENDÜLÜS KROM ŞİRKETİNE AİTTİR. ENDÜLÜS KROM'UN İZİNİ OLMADAN TASARIMIN TAMAMI VEYA BİR KISMININ KULLANILMASI HALİNDE GEREKLİ YASAL İŞLEM YAPILIR.

NO	DESCRIPTION	MATERIAL	BILL OF MATERIALS		SPECIFICATIONS
			POSITION	DIMENSIONS	
1	MOBIL CARRIER	AISI304L	-	-	ENDÜLÜS KROM
2	CENTRIFUGE PUMP	-	ON MOBIL CARRIER	2.2 kW 10.000 LT/H	ENDÜLÜS KROM
3	ELECTRICAL PANEL	-	ON MOBIL CARRIER	1 PIECE	ENDÜLÜS KROM
4	CONDUCTIVITY COMPACT DEVICE	-	ON CIP RETURN LINE	1 PIECE	ENDRESS & HAUSER
5	LEVEL SWITCH	-	ON CIP SUPPLY LINE	1 PIECE	ENDRESS & HAUSER
6	PRESSURE INDICATOR	-	ON CIP SUPPLY LINE	1 PIECE	ENDÜLÜS KROM
7	TEMPERATURE INDICATOR	-	ON CIP SUPPLY LINE	1 PIECE	ENDÜLÜS KROM
8	WATER HEATER (INSULATED) TANK	AISI304L	ON MOBIL CARRIER	1 PIECE	ENDÜLÜS KROM
9	CIP CHEMICAL (INSULATED) TANK	AISI304L	ON MOBIL CARRIER	1 PIECE	ENDÜLÜS KROM



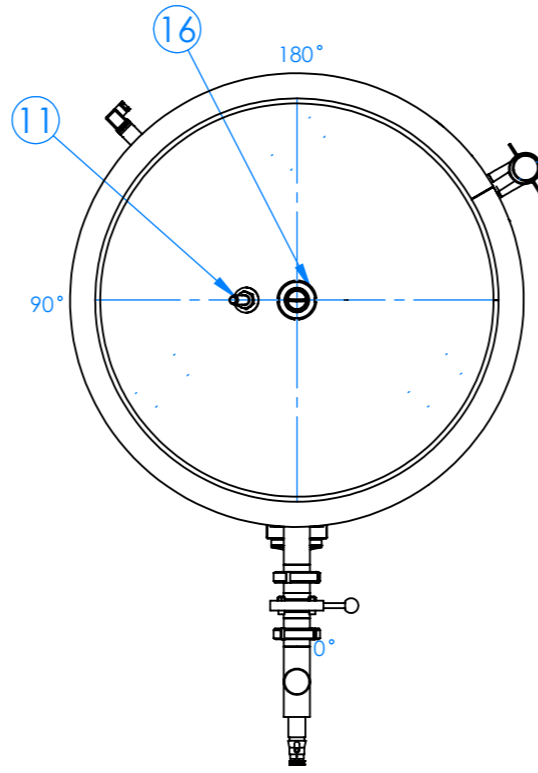
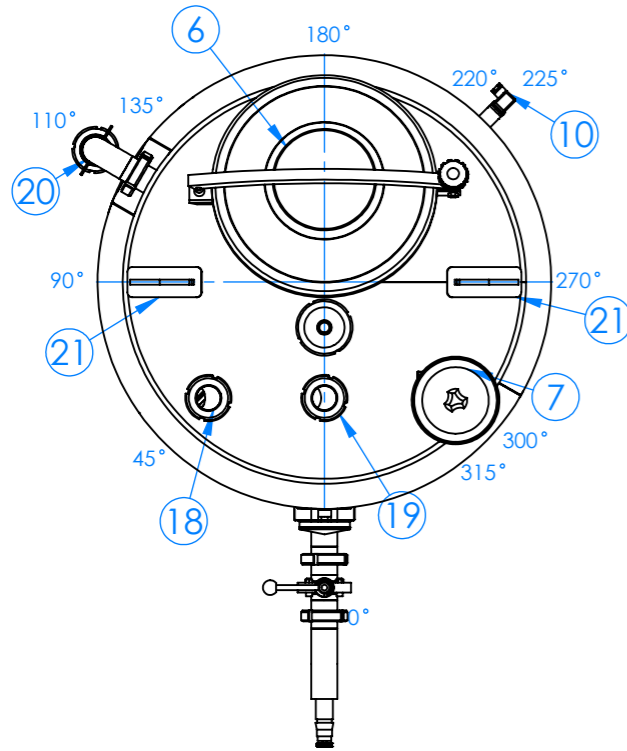
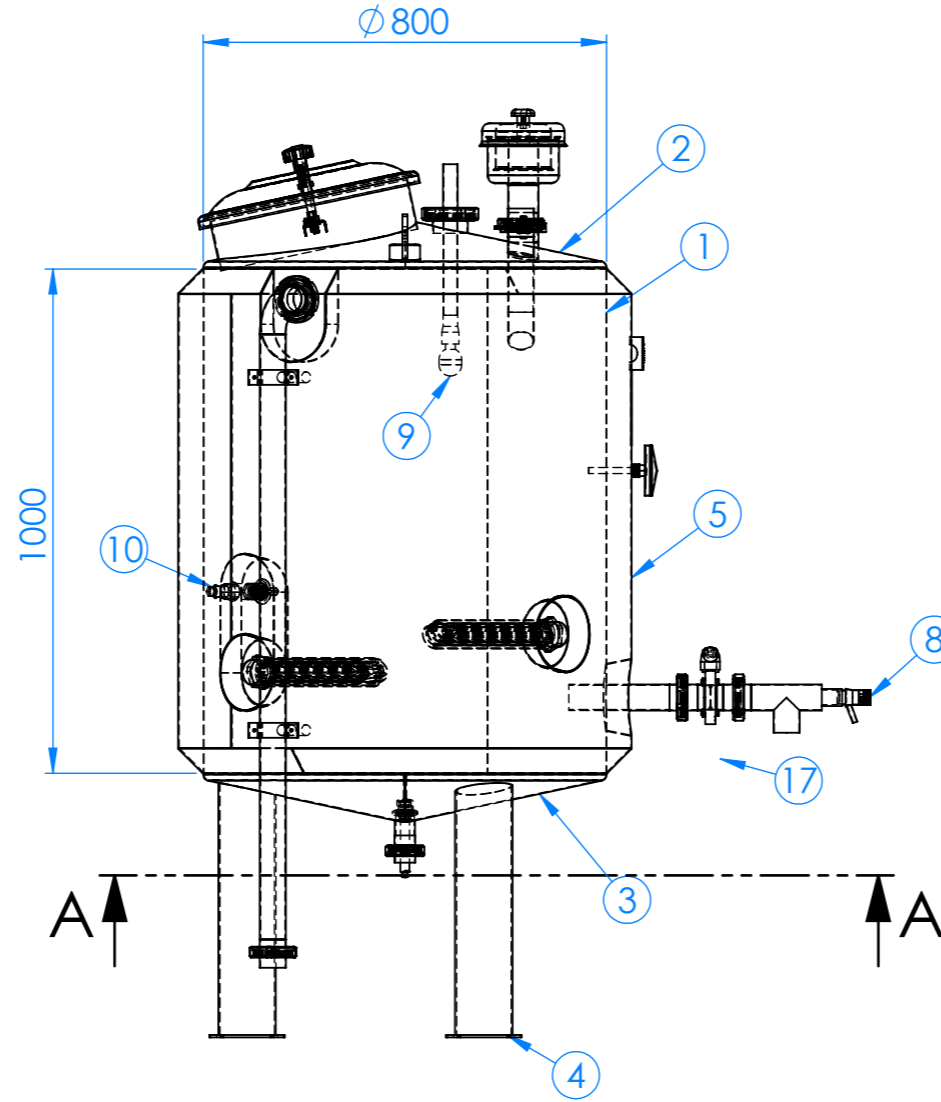
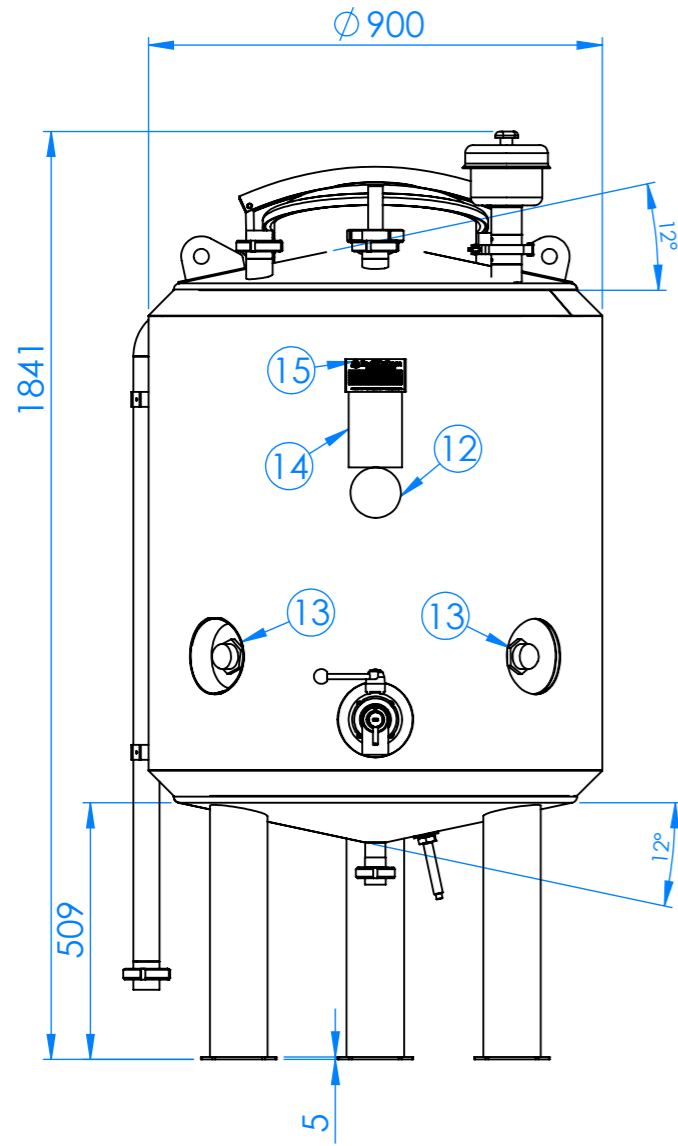
NAME-SURNAME	DATE	SIGNATURE	PROJECT NAME	2x500LT MANUEL MOBIL CIP
DRAWN BY MEHMET BOYACIOĞLU	27.01.2025		PROJECT NO	PD-0120-24
CONTROL FERHAT ÇEĞİL	27.01.2025		CUSTOMER	MACHINERY WORLD
APPROVAL	27.01.2025		PIECE	1
WEIGHT	SCALE	1:24	REV NO	0
			PAGE NO	2/4
			FORMAT	A3

This drawing is draft design,  
 it is possible to change during production



**DİKKAT:**  
 1- RESİM ÜZERİNDEN ÖLÇÜ ALETİ İLE ÖLÇÜ ALMAYIN.  
 2- FORMU VEYA ÖLÇÜSÜ DEĞİŞEN RESİMLERİ TEKNİK BÜROYA BİLDİRİN.  
 3- RESİM ÜZERİNDE KONTROL EDENDEN BAŞKASI DEĞİŞİKLİK YAPILMAZ İLE TEMİZLENECEKTİR.

**NOT:** BU TASARIMIN TÜM HAKLARI ENDÜLÜS KROM ŞİRKETİNE AİTTİR. ENDÜLÜS KROM'UN İZİNİ OLMADAN TASARIMIN TAMAMI VEYA BİR KISMININ KULLANILMASI HALİNDE GEREKLİ YASAL İŞLEM YAPILIR.



**BILL OF MATERIALS**

NO	DESCRIPTION	MATERIAL	POSITION	DIMENSİONS	SPECIFICATIONS
1	1. TANK BODY SHELL	AISI304L	160°	2,5mm	2B SURFACE QUALITY
2	1. TANK TOP CONIC	AISI304L	12°	2,5mm	2B SURFACE QUALITY
3	1. TANK BOTTOM CONIC	AISI304L	12°	2,5mm	2B SURFACE QUALITY
4	1. TANK CARRIER FOOT	AISI304L	90°/220°/330° 3 PIECES	4mm CONICAL SHRINKER	2B SURFACE QUALITY
5	1. TANK BODY ISOLATION	AISI304L	160°	2mm	2B SURFACE QUALITY
6	1. TANK MENHOLE COVER	AISI304L	180° TOP CONIC	Ø400	ZORZINI
7	1. TANK AIR VALVE	AISI304L	300° TOP CONIC	DN50	ENDÜLÜS KROM
8	1. TANK SAMPLING VALVE	AISI304L	0°	DN25 HYGENIC TYPE	NEUMO
9	1. TANK CIP BALL	AISI304L	0° TOP CONIC	360° ROTARY TYPE	ALFA LAVAL
10	1. TANK LOW LEVEL SWITCH	-	225°	1 PIECE	ENDRESS & HAUSER
11	1. TANK TEMP. TRANSMITTER	-	90° BOTTOM CONIC	1 PIECE	IFM
12	1. TANK TEMP. INDICATOR	-	0° BODY	1 PIECE	ENDÜLÜS KROM
13	1. TANK IMMERSION HEATER	-	45°/135°/225°/315°	7.5 kW 4 PIECES	ENDÜLÜS KROM
14	1. TANK MAINTENANCE & USER MANUAL	-	0° BODY	1 PIECE	ENDÜLÜS KROM
15	1. TANK PRODUCT TAG	AISI304L	0° BODY	1 PIECE	ENDÜLÜS KROM
16	1. TANK DRAINAGE	AISI304L	0° CENTER BOTTOM CONIC	DN40	UNION CONNECTION
17	1. TANK PRODUCT OUTLET	AISI304L	0°	DN50	UNION CONNECTION
18	1. TANK PROCESS WATER INLET	AISI304L	45°	DN50	UNION CONNECTION
19	1. TANK CIP RETURN INLET	AISI304L	0°	DN50	UNION CONNECTION
20	1. TANK OVERFLOW	AISI304L	110°	DN50	ENDÜLÜS KROM
21	1. TANK LIFTING LUG	AISI304L	90°/270°	10mm Lug 3mm Dablin	ENDÜLÜS KROM

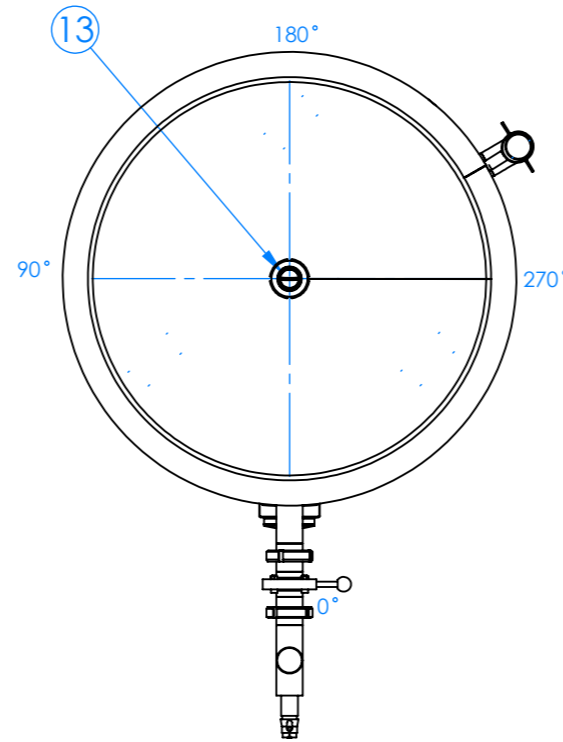
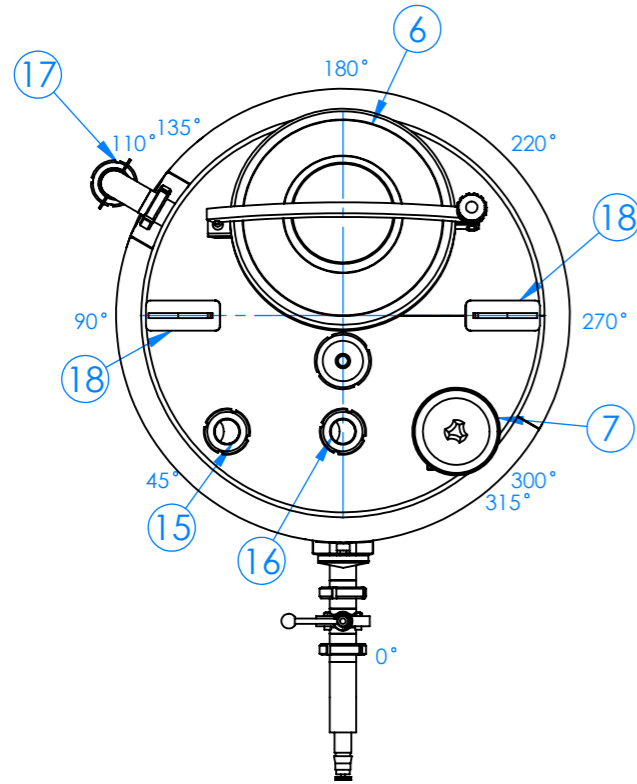
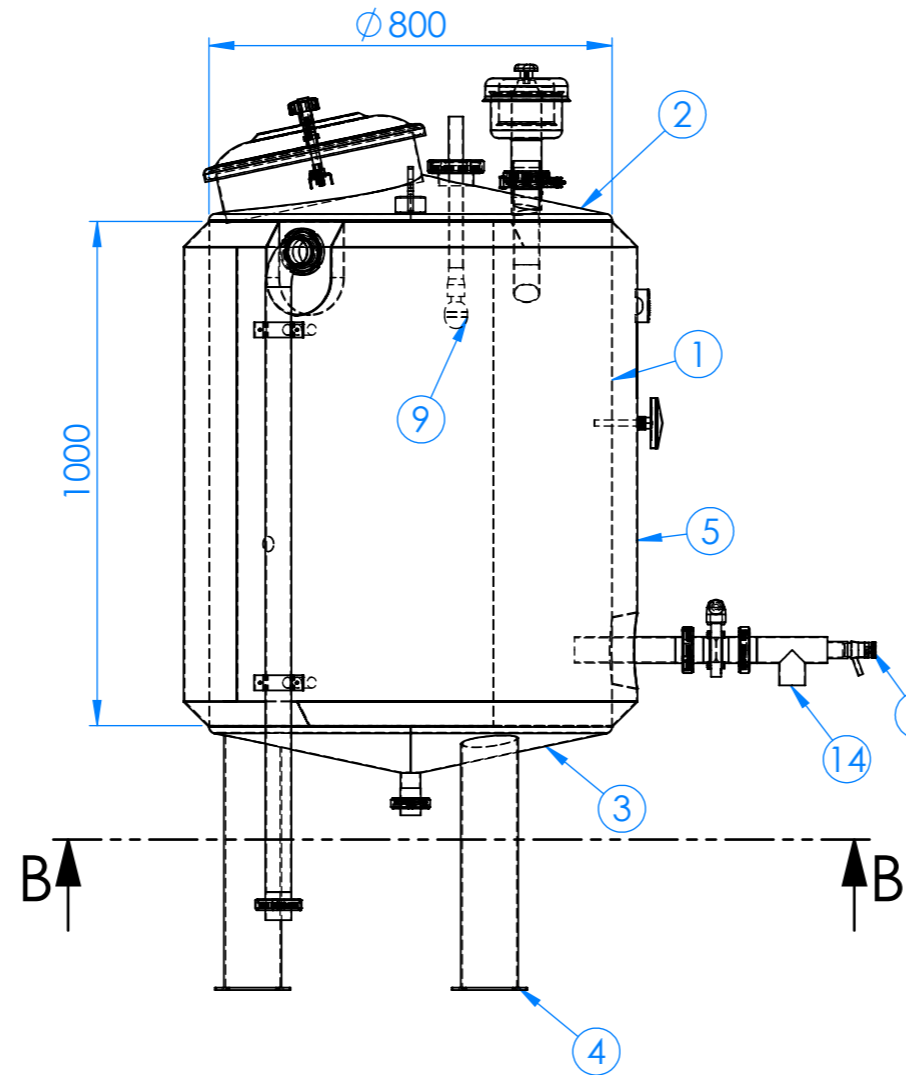
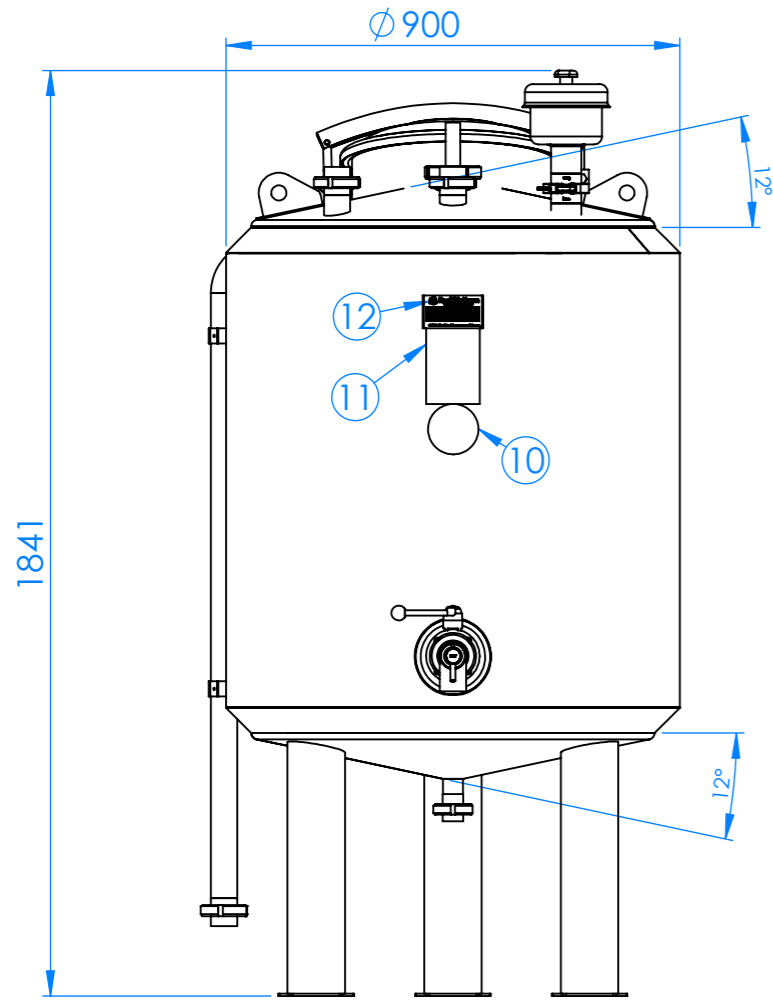
NAME-SURNAME	DATE	SIGNATURE	PROJECT NAME
MEHMET BOYACIOĞLU	27.01.2025		2x500LT MANUEL MOBİL CIP
FERHAT ÇEĞİL	27.01.2025		PROJECT NO PD-0120-24
	27.01.2025		CUSTOMER MACHINERY WORLD
			PIECE 1
			SCALE 1:15
			REV NO 0
			PAGE NO 3/4
			FORMAT A3

This drawing is draft design, it is possible to change during production



**DİKKAT:**  
 1- RESİM ÜZERİNDEN ÖLÇÜ ALETİ İLE ÖLÇÜ ALMAYIN.  
 2- FORMU VEYA ÖLÇÜSÜ DEĞİŞEN RESİMLERİ TEKNİK BÜROYA BİLDİRİN.  
 3- RESİM ÜZERİNDE KONTROL EDENDEN BAŞKASI DEĞİŞİKLİK YAPILMAZ İLE TEMİZLENECEKTİR.

**NOT:** BU TASARIMIN TÜM HAKLARINI ENDÜLÜS KROM ŞİRKETİNE AİTTİR. ENDÜLÜS KROM'UN İZİNİ OLMADAN TASARIMIN TAMAMI VEYA BİR KISMININ KULLANILMASI HALİNDE GEREKLİ YASAL İŞLEM YAPILIR.



BILL OF MATERIALS					
NO	DESCRIPTION	MATERIAL	POSITION	DIMENSIONS	SPECIFICATIONS
1	2. TANK BODY SHELL	AISI304L	160°	2,5mm	2B SURFACE QUALITY
2	2. TANK TOP CONIC	AISI304L	12°	2,5mm	2B SURFACE QUALITY
3	2. TANK BOTTOM CONIC	AISI304L	12°	2,5mm	2B SURFACE QUALITY
4	2. TANK CARRIER FOOT	AISI304L	90°/220°/330°	4mm	2B SURFACE QUALITY
5	2. TANK BODY ISOLATION	AISI304L	160°	2mm	2B SURFACE QUALITY
6	2. TANK MENHOLE COVER	AISI304L	180°	Ø400	ZORZINI
7	2. TANK AIR VALVE	AISI304L	TOP CONIC 300°	DN50	ENDÜLÜS KROM
8	2. TANK SAMPLING VALVE	AISI304L	0°	DN25 HYGENIC TYPE	NEUMO
9	2. TANK CIP BALL	AISI304L	0° TOP CONIC	360°	ALFA LAVAL
10	2. TANK TEMP. INDICATOR	-	0° BODY	1 PIECE	ENDÜLÜS KROM
11	2. TANK MAINTENANCE & USER MANUAL	-	0° BODY	1 PIECE	ENDÜLÜS KROM
12	2. TANK PRODUCT TAG	AISI304L	0° BODY	1 PIECE	ENDÜLÜS KROM
13	2. TANK DRAINAGE	AISI304L	0° CENTER BOTTOM CONIC	DN40	UNION CONNECTION
14	2. TANK PRODUCT OUTLET	AISI304L	0°	DN50	UNION CONNECTION
15	2. TANK PROCESS WATER INLET	AISI304L	45°	DN50	UNION CONNECTION
16	2. TANK CIP RETURN INLET	AISI304L	0°	DN50	UNION CONNECTION
17	2. TANK OVERFLOW	AISI304L	110°	DN50	ENDÜLÜS KROM
18	2. TANK LIFTING LUG	AISI304L	90°/270°	10mm Lug 3mm Dablin	ENDÜLÜS KROM

This drawing is draft design, it is possible to change during production

NAME-SURNAME	DATE	SIGNATURE	PROJECT NAME	2x500LT MANUEL MOBİL CIP				
DRAWN BY MEHMET BOYACIOĞLU	27.01.2025		PROJECT NO	PD-0120-24				
CONTROL FERHAT ÇEĞİL	27.01.2025		CUSTOMER	MACHINERY WORLD				
APPROVAL	27.01.2025		PIECE	1				
WEIGHT	SCALE	1:15	REV NO	0	PAGE NO	4/4	FORMAT	A3

