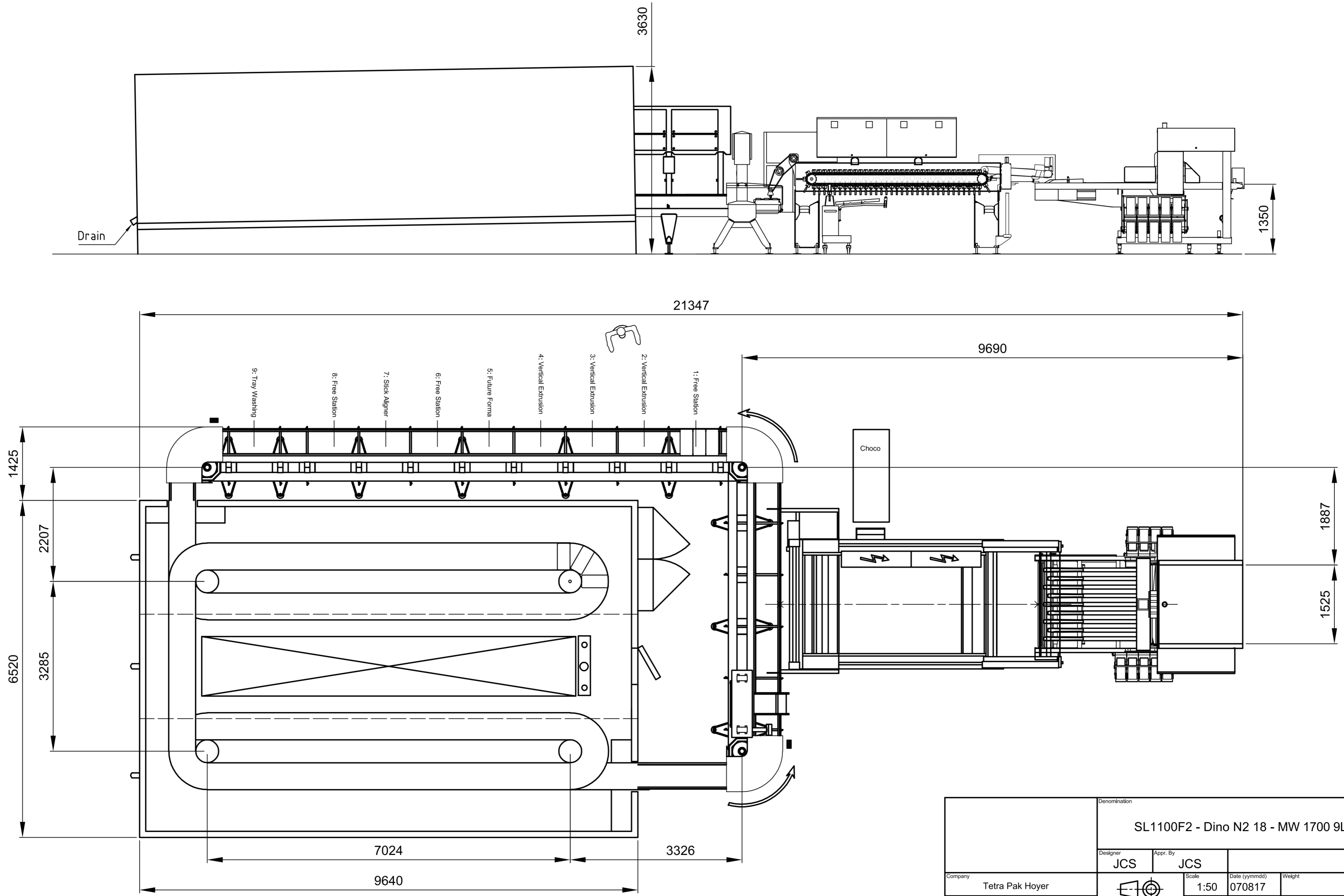


Rev. No.	Revision	Date (yy/mm/dd)	Revised	Checked



Company		Denomination		Date (yy/mm/dd)		Weight	
Tetra Pak Hoyer		SL1100F2 - Dino N2 18 - MW 1700 9L		070817			
Designer		Appr. By		Scale		Format	
JCS		JCS		1:50		A2	
				Document no.		Revision	
				B59404537876		4	

